

Dual Band Tower Mounted Amplifier

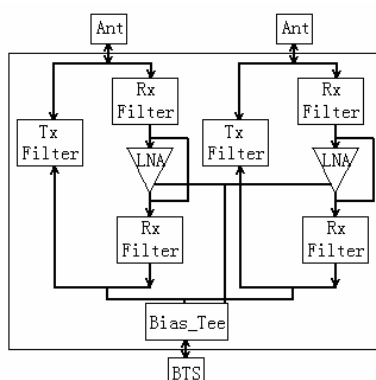
GSM900&DCS1800 FULL BAND

Model : T MAGD-25M75M-D

Technical Specification



Diagram



Features

- ◆ Apply in BTS
- ◆ Enhance BTS sensitivity
- ◆ Apply in wide coverage BTS
- ◆ Can be matched with BTS amplifier
- ◆ applied in remote areas and most rural areas

Tx Characteristics

Frequency Range	935/960 MHz & 1805-1880 MHz
Bandwidth	25MHz & 75 MHz
Insertion Loss	0.60dB (Typically)
Ripple	<0.4dB
Input Power	<100W (CW)
Intermodulation in Rx Band	<-120dBm (2Tx at 43dBm)
VSWR	≤1.4
Isolation	≥45dB
IM3	-150dBc(+43dBm/2tone)
Max Without Loss Input Level	+53dBm

Rx Features:

Frequency Range	890-915 MHz & 1710-1785 MHz
Bandwidth	25MHz & 75 MHz
Loss In By- Pass Mode	1.7dB (DC OFF)
Gain	12dB
Ripple	<±0.5dB
Noise Figure	<1.8dB
OIP3	+25dBm
VSWR	≤1.4

Environmental Parameter:

EMC	ETS 300 342-3
Working Temperature	-40 ~ +85 °C
MTBF	> 50000 Hours (per TMA)

Power Handling

Power	DC+12V; 150mA per TMA
-------	-----------------------

Mechanical Features:

RF Connector	7/16 Female
Holding Installation:	Use 4pcs bolts to fasten (maxi bolt is M8)
Install in Bracket or Wall:	Use hoop to fasten
Dimensions(L*W*H)	300*186*69 mm ³
Weight :	7 kg