

2157M DROP-IN ISOLATOR

Product Number

214X002-A



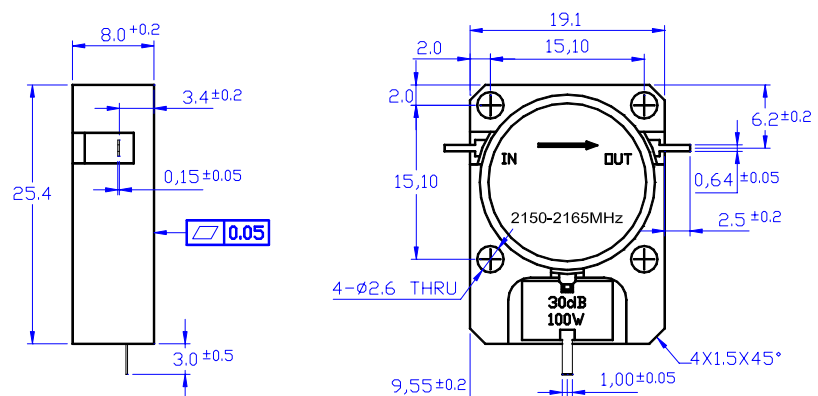
Features

- Low VSWR
- High Isolation
- Economically priced

Specification

Frequency (MHz)	2150-2165
VSWR	<1.17
Power (F/R)	150W/100 W30dB
Isolation (dB)	≥ 22
Insertion loss(dB)	<0.3
Temperature range	-30°C ~ +85°C

Outline



GENERAL PART TOLERANCE IS ± 0.1 UNLESS OTHERWISE STATED